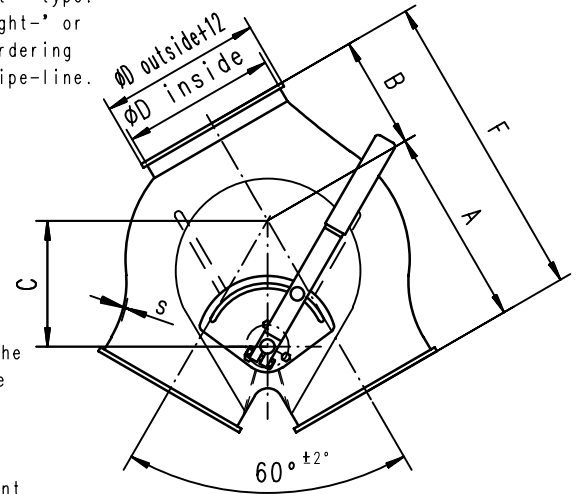
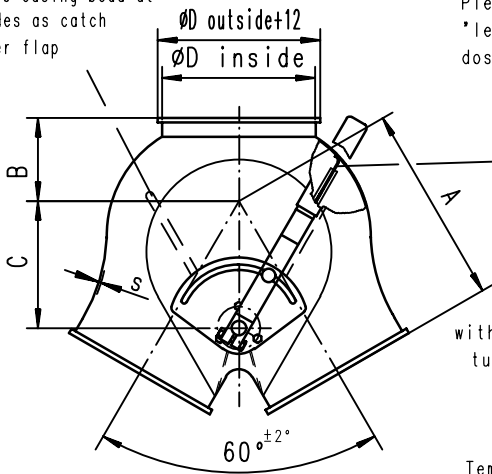


Two-way-valve, symmetrical

Two-way-valve, asymmetrical

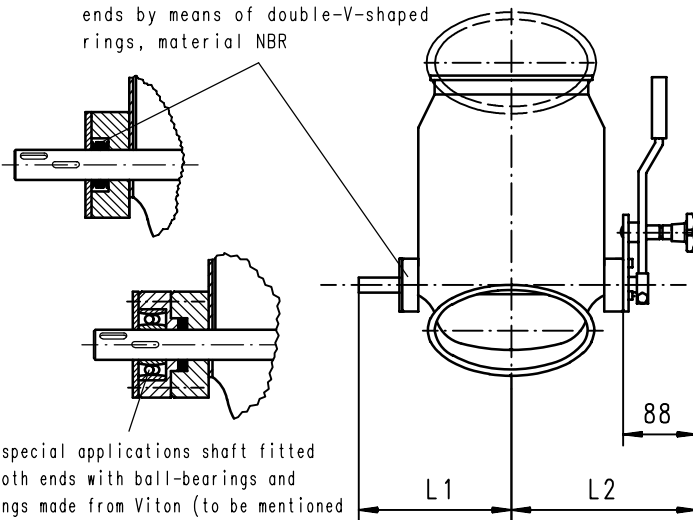
Pipe \varnothing 100, 120, 150, 200,
250 + 300 casing bead at
both sides as catch
for inner flap

Drawing shows 'right-' type.
Please consider 'right-' or
'left-' type when ordering
dosing valve into pipe-line.



with inner seal at the
turn-over-flap made
from NBR
Food quality
Oil resistant
Temperature resistant
until +80°C

Standardwise shaft-sealing at both
ends by means of double-V-shaped
rings, material NBR



For special applications shaft fitted
at both ends with ball-bearings and
O-rings made from Viton (to be mentioned
in case of order)

Installing-position :

For bulk goods in respect of the flow
characteristics of the transported goods.

Ranges of applications :

Granular and powdery products, transported
by gravity; powdery products without
re-blocking-pressure; further for
ventilation systems with a pressure-
difference of approx. 0,1 bar.

Please request for special applications.

Safety advice DIN 34

Article-no. for painted type

\varnothing Pipe	100	120	150	175	200	250	300
symmetrical two-way-valves	Article-no.	12101503	12121503	12151503 13151503	12171506 13171506	12201506 13201506	12251506 13251506 12301503 13301503
	A	135	160	200	218	265	305
	B	50	50	80	63	110	115
	C	87	112	136	170	167	215
asymmetrical two-way-valves	Article-no.	12101513	12121513	12151513 13151513	12171516 13171516	12201516 13201516	12251516 13251516 12301513 13301513
	A	135	160	200	218	265	305
	B	65	70	100	90	145	155
	C	87	112	136	170	167	215
F	200	230	300	208	410	460	575
\varnothing inside	99	119	149	148	174	173	199
s	2	2	2	3	2	3	2
L1	140	148	168		198		199
L2	176	184	207		235		238
weight in kg							

Denomination

Two-way-valve with seal
hand-operated

Date 06.12.2004

Drawing-No. 11/503 Index 3