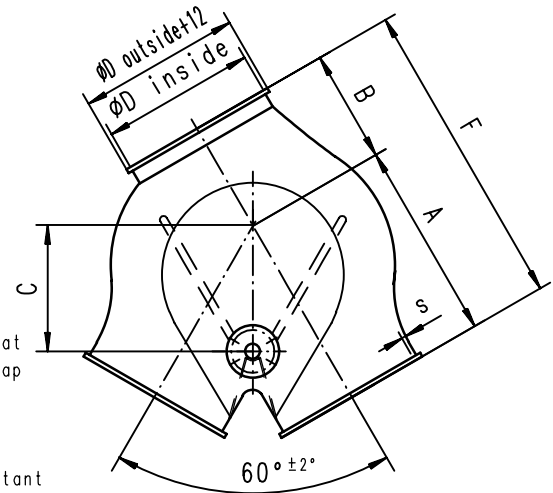
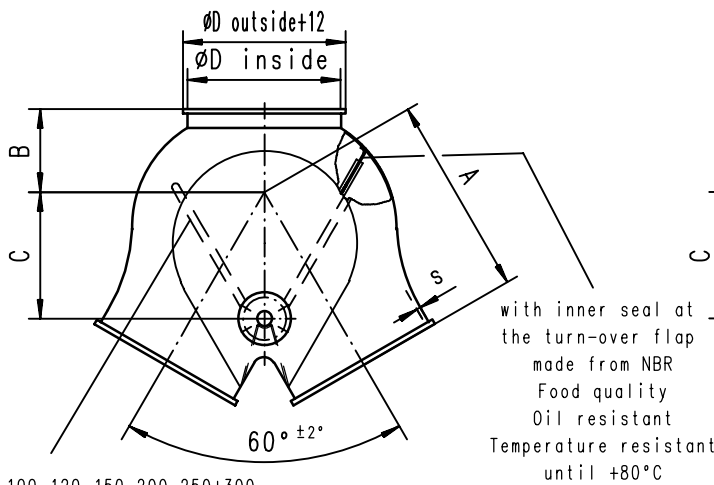
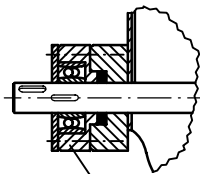


Two-way-valve, symmetrical

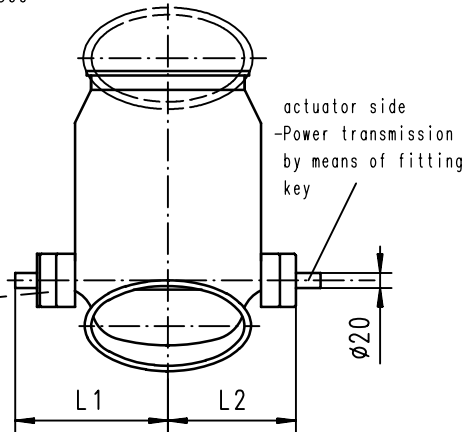
Two-way-valve, asymmetrical



$\varnothing$  Pipe 100,120,150,200,250+300 casing bead at both side as catch for inner flaps



shaft-fitted at both ends with ball-bearings and O-rings made from Viton (to be mentioned in case of order).



Installing-positions :

For bulk goods in respect of the flow characteristics of the transported goods.

Ranges of application :

Granular and powdery products, transported by gravity; powdery products without re-blocking-pressure; further for ventilation systems with a pressure-difference of approx. 0,1 bar.

Please request for special applications.

Operating devices :

See dimension-sheet no. 11/513/A. The fitting of the actuator can be done at both sides of the two-way-valve with seal. Standardwise the fitting will be done according dimension-sheet no. 11/513/A.

Article-no. for painted type

$\varnothing$ Pipe	100	120	150	175	200	250	300
symmetrical two-way-valves	Article-no.	55421002	55421202	55421502   55431502	55421701   55431701	55422001   55432001	55422501   55422501   55423002   55433002
	A	135	160	200	218	265	305   385
	B	50	50	80	63	110	115   145
	C	87	112	136	170	167	215   260
asymmetrical two-way-valves	Article-no.	55521002	55521202	55521502   55531502	55521701   55531701	55522001   55532001	55522501   55532501   55523002   55533002
	A	135	160	200	218	265	305   385
	B	65	70	100	90	145	155   190
	C	87	112	136	170	167	215   260
F	200	230	300	308	410	460   575	
$\varnothing D$ inside	99	119	149   148	174   173	199   198	249   248	299   298
s	2	2	2   3	2   3	2   3	2   3	2   3
L1	140	148	168	198	199	220	245
L2	110	118	138	168	169	190	215
weight in kg	5,6	6,4	8,6   10,5	9,5   12,5	11,3   14,0	14,8   18,7	17,5   22,8

In case of placing your order please state the desired signal-current and the make of the pneumatics. Please take in this connection the following code-system into consideration. The 2-digit number has to be added to our 8-digit order-no. code. Electrically operated two-way-valves on request.

Make	Signal-current
.....11 Bosch/Rexroth	230V, AC
.....13 Bosch/Rexroth	24V, DC
.....21 FESTO	230V, AC
.....23 FESTO	24V, DC

Make	Signal-current
.....34 BAR rotary actuator	230V, AC
.....35 BAR rotary actuator	24V, DC
.....64 Automax rotary actuator	230V, AC
.....65 Automax rotary actuator	24V, DC

Denomination

Two-way-valve with seal  
without actuator

Date	06.12.2004
Drawing-No.	11/513
Index	3

Safety advice DIN 34