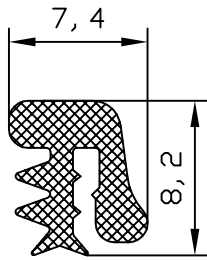
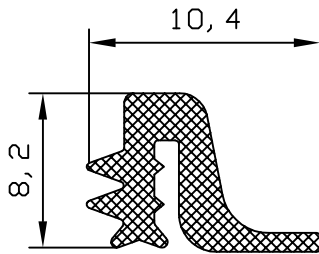


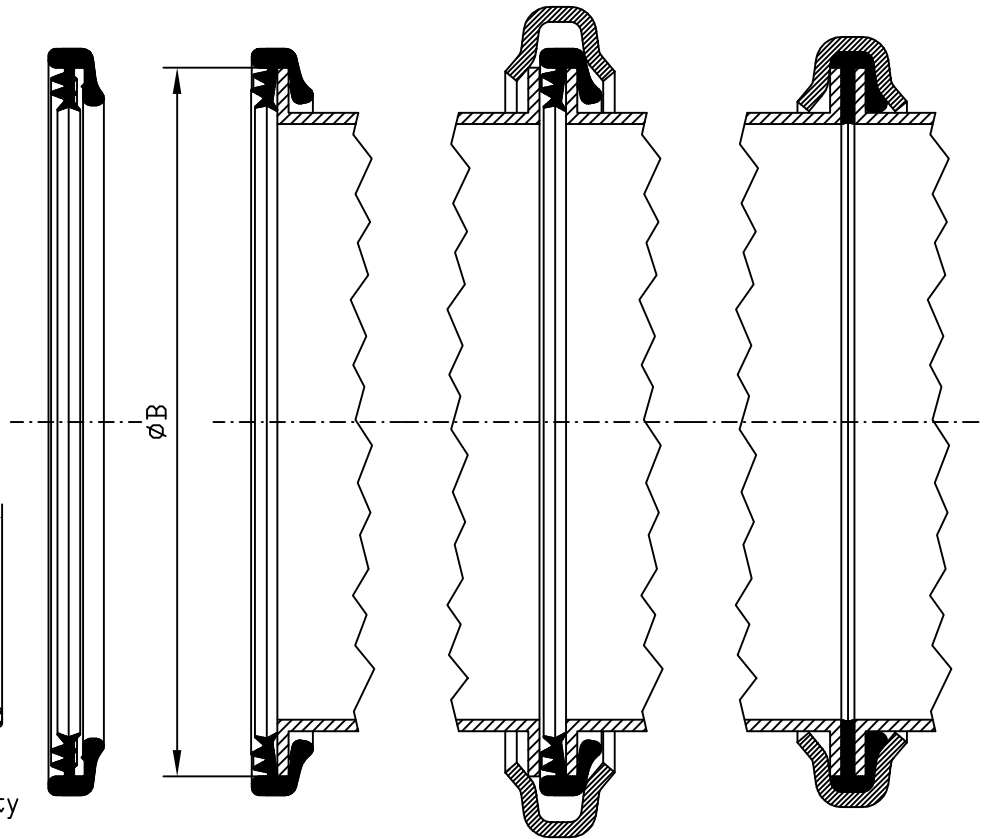
Assembling advice



Execution:
Perbunan
Silicone
Viton



Execution:
Keltan-EPDM-conductivity



Note: The U-shaped seals are glued together from profile-cord.

For the U-shaped seal, Quality Keltan-EPDM-black, an electrical conductivity has been certified from the DMT specialist authority for Explosion-protection-Bergbau-Versuchsstrecke, Dortmund, ZH 1/2000, section 6. 3. 1.

Safety advice DIN ISO 16016

Inside diameter		60	80	100	120	140	150	175
Order-no.	Perbunan-NBR-greywhite	100669517	100869517	101069517	101269517	101469517	101569517	101769517
	Silikon-Si-beige	10067951	10087951	10107951	10127951	10147951	10157951	10177951
	Keltan-EPDM-conductivity-black	100689515	100889515	101089515	101289515	101489515	101589515	101789515
	Viton-FKM (FPM)-brownred		10089951	10109951	10129951	10149951	10159951	10179951
$\varnothing B$		69	93	115	135	151	165	190
Weight in kg		0,02	0,02	0,03	0,03	0,04	0,04	0,04
Inside diameter		200	224	250	300	350	400	
Order-no.	Perbunan-NBR-greywhite	102069517	102269517	102569517	103069517	103569517	104069517	
	Silikon-Si-beige	10207951	10227951	10257951	10307951	10357951	10407951	
	Keltan-EPDM-conductivity-black	102089515	102289515	102589515	103089515	103589515	104089515	
	Viton-FKM (FPM)-brownred	10209951	10229951	10259951	10309951	10359951	10409951	
$\varnothing B$		215	235	265	315	365	415	
Weight in kg		0,05	0,05	0,06	0,07	0,08	0,09	

Denomination	U-shaped joints for piping 1mm and 1,5mm wall thickness	
	Date	10. 09. 2012
	Drawing-No.	5/111
	Index	3